

## CO<sub>2</sub> Analyzer



Model : ML9820

### 용도

### Applications

- 대기 및 실내 공기 중의 CO<sub>2</sub> 가스 농도 연속 모니터링
- 대기 오염 측정망 구성에 사용

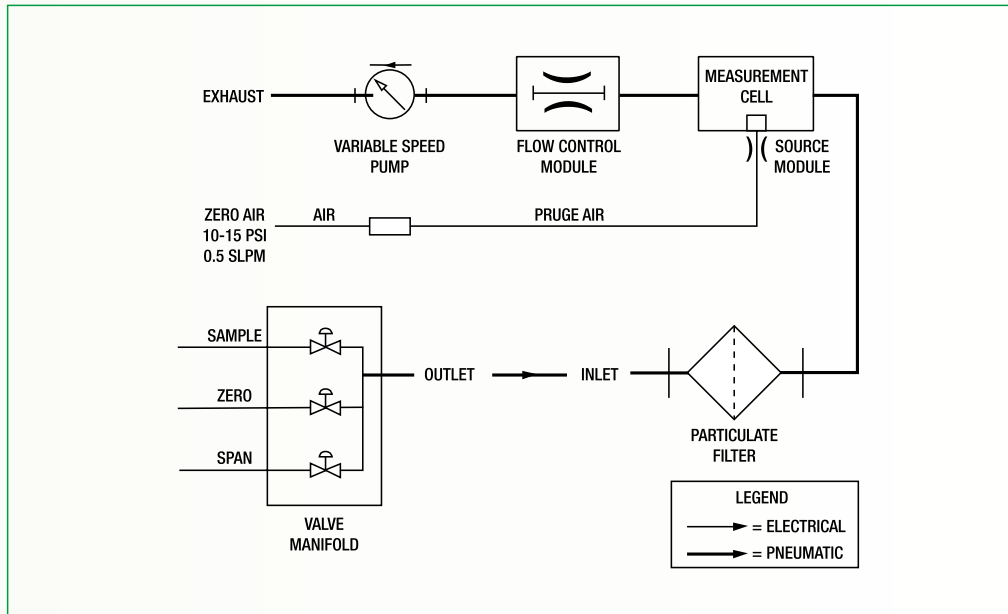
### 특징

### Features

- 형식승인 : US-EPA, TUV, MCERTS, CE
- 긴 수명의 IR source, GFC wheel로 운영상 문제점 최소화
- 12VDC 전원으로 안전성과 낮은 전력 소비율 실현
- 자가 진단 및 RS232를 통한 원격 관리 기능
- 자동 ZERO 교정 가능

## SPECIFICATIONS

Range Display	Autoranging 0-3000 ppm, 0-1500 ppm, 0-750 ppm. Resolution = 0.01 ppm Analog output : 0-full scale from 0-100 ppm to 0-full Scale with 0, 5 and 10 % offset, Autoranging between 2 user-specified full scale values
Noise (RMS)	<ul style="list-style-type: none"> <li>• Measurement process : 1 ppm or 0.1 % of concentration reading, whichever is greater. with Kalman filter active.</li> <li>• Analogue interface : 1 ppm or 0.1 % of analogue output full scale, whichever is greater.</li> </ul>
Lower detectable limit	<ul style="list-style-type: none"> <li>• Measurement process : &lt;2 ppm or 0.2 % of concentration reading, whichever is greater. With Kalman filter algorithm active.</li> <li>• Analogue interface : &lt;2 ppm or 0.2 % of analogue output full scale, whichever is greater.</li> </ul>
Zero Drift	Temperature dependent : <0.2 % per °C Time dependent at fixed temperature 24 Hours : Less than 10 ppm. 30 days : Less than 10 ppm
Span Drift	Temperature dependent : 0.2 % per °C Time dependent at fixed temperature 24 Hours : 0.5% of Reading. 30 days : 0.5% of Reading
Lag Time	Less than 20 sec
Rise/Fall time	Less than 60 sec (1 LPM flow) with Kalman filter active.



Linearity Error	Less than 2 % from best straightline fit
Precision	10 ppm or 1 % of reading, whichever is greater.
Sample flow Rate	1LPM - zero air supply to zero port must exceed 2 LPM.
Purge air	Zero air(CO <sub>2</sub> free air) must be delivered to the rear of the Analyser at 10-15 psi; 0.5 LPM
Sample Pressure Dependence	All readings compensated. 5 % change in pressure Produces less than 1% change in reading
Temperature Range	5 °C to 40 °C, US EPA Designated Range
MainsPower	99 - 132 VAC, or 198 to 264 VAC, 47 to 63 HZ
Weight	20.9 kg
Dimensions ( W x H x D )	432 mm × 178 mm × 648 mm
Analogue Output	Jumper selectable voltage output of 100 mV, 1 V, 5 V and 10V, with menu selectable zero offset of 0,5 or 10% of full Scale. Menu selectable current output of 0~20 mA, 2~20 mA and 4~20 mA(not galvanically isolated)
Digital output	Multi-drop RS232 port for data, status, control, Utility RS-232for local user control. Centronic parallel output With Epson compatible. DB50 with discrete status, user control and analog output

## CONFIGURATIONS

12VDC Internal Vacuum Sample pump	1 ea
Built in Sample Inlet Particulate Filter Assy(Holds 47mm Filter)	1 ea
Multi Drop RS232 serial interface	1 ea
50 PIN I/O PCB with analog out 0-, 2-, 4-20mA, V, mV	1 ea
Built in CO/CO <sub>2</sub> Zero Air Scrubber	1 ea
Operation and Service Manual	1 ea
Sample Inlet Filter Elements, 47mm, 5 Micron (50ea)	1 ea
Valve Manifold Kit, External Zero/Span(EZS)	1 set

## OPTIONAL ACCESSORIES

Service Kit for 6 month operation	1 set
Rack Mount Kit with Slides	1 set
Rack Mount Kit without Slides	1 set